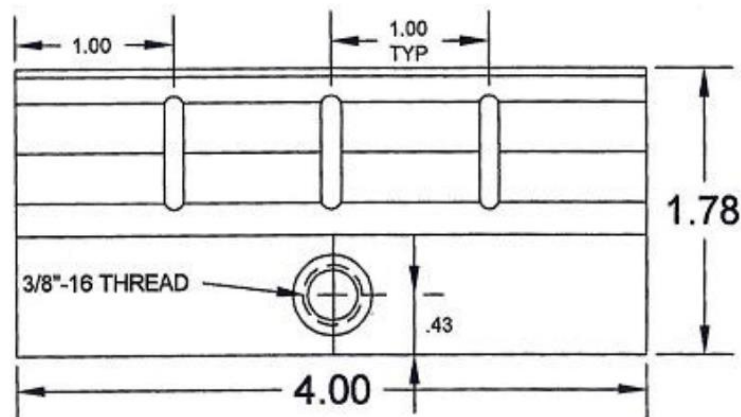
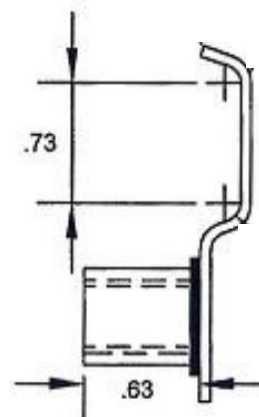
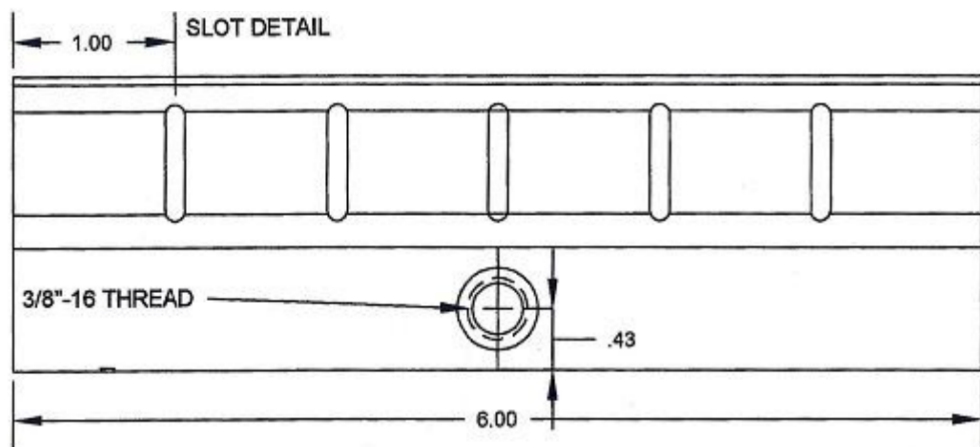
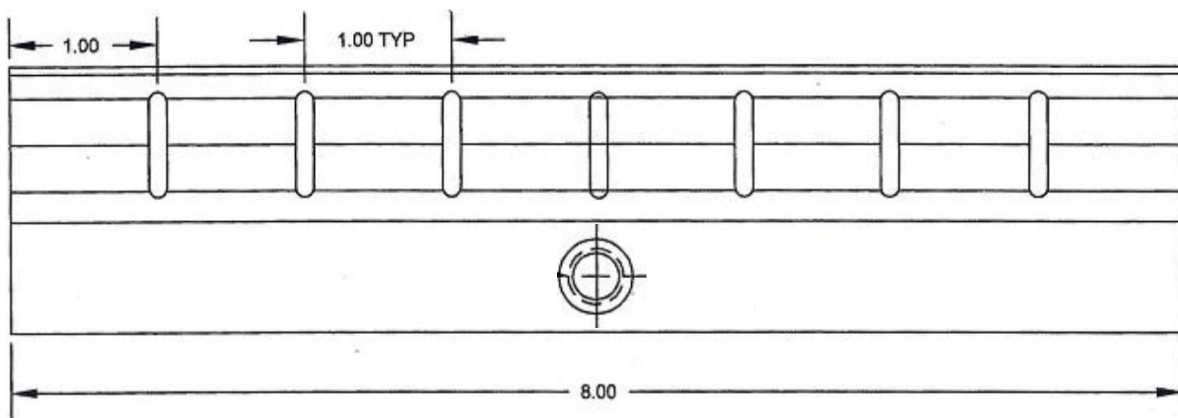




**Production Fastening Systems, L.L.C.**

800-216-1287 / WWW.PFSNO.COM

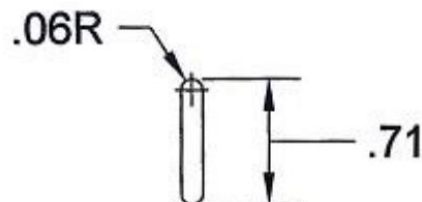
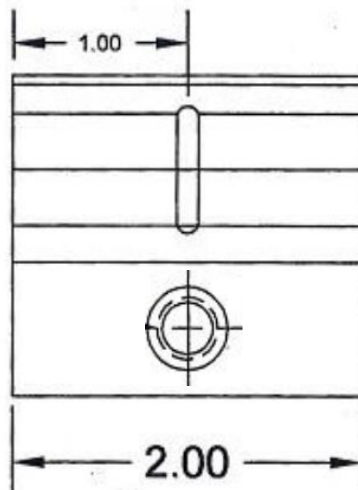
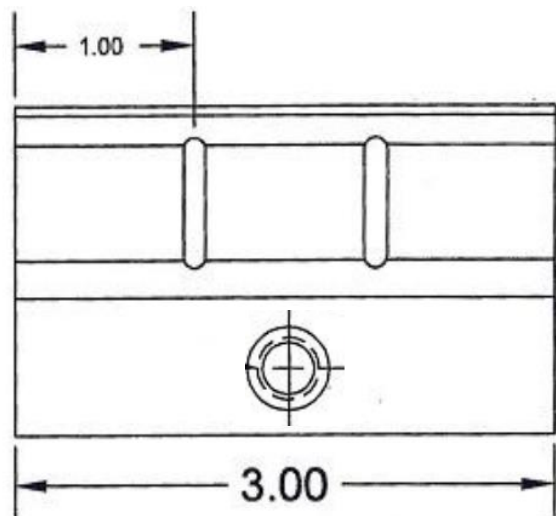
# Slotted Cable Hangers



NOTE: STUDWELD FERRULE TO PLATE

MATERIAL IS: 16 GAUGE TYPE 316L SS  
FINISH: NONE

ALTERNATE MATERIAL: 16 GA. 1008-1010 CRS  
FINISH: ELECTRO ZINC PLATE



TOLERANCES UNLESS OTHERWISE SPECIFIED	
DECIMAL:	.XX ± .090
	.XXX ± .005
	.XXXX ± .0005
ANGULAR:	ALL ± 1°