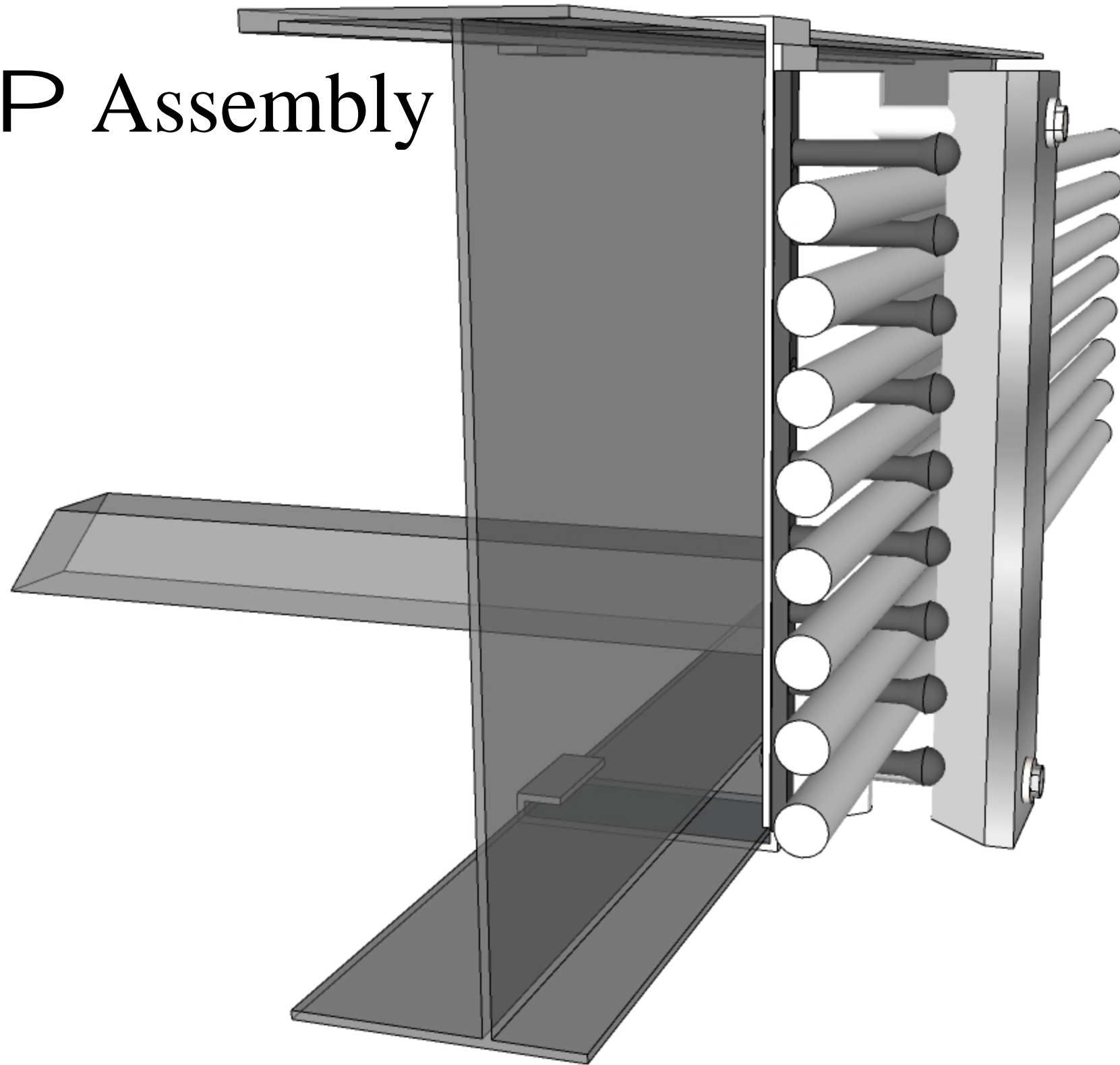




T-SEP Assembly



PTCB6000-28NM

T-SEP Configuration:
PTCB-6000 Configuration
3/8" Dia. Tubing
8 Tubes
5 11/16" Assembly I.D.
1 3/4" Assembly Height
2 Hardware Access Holes