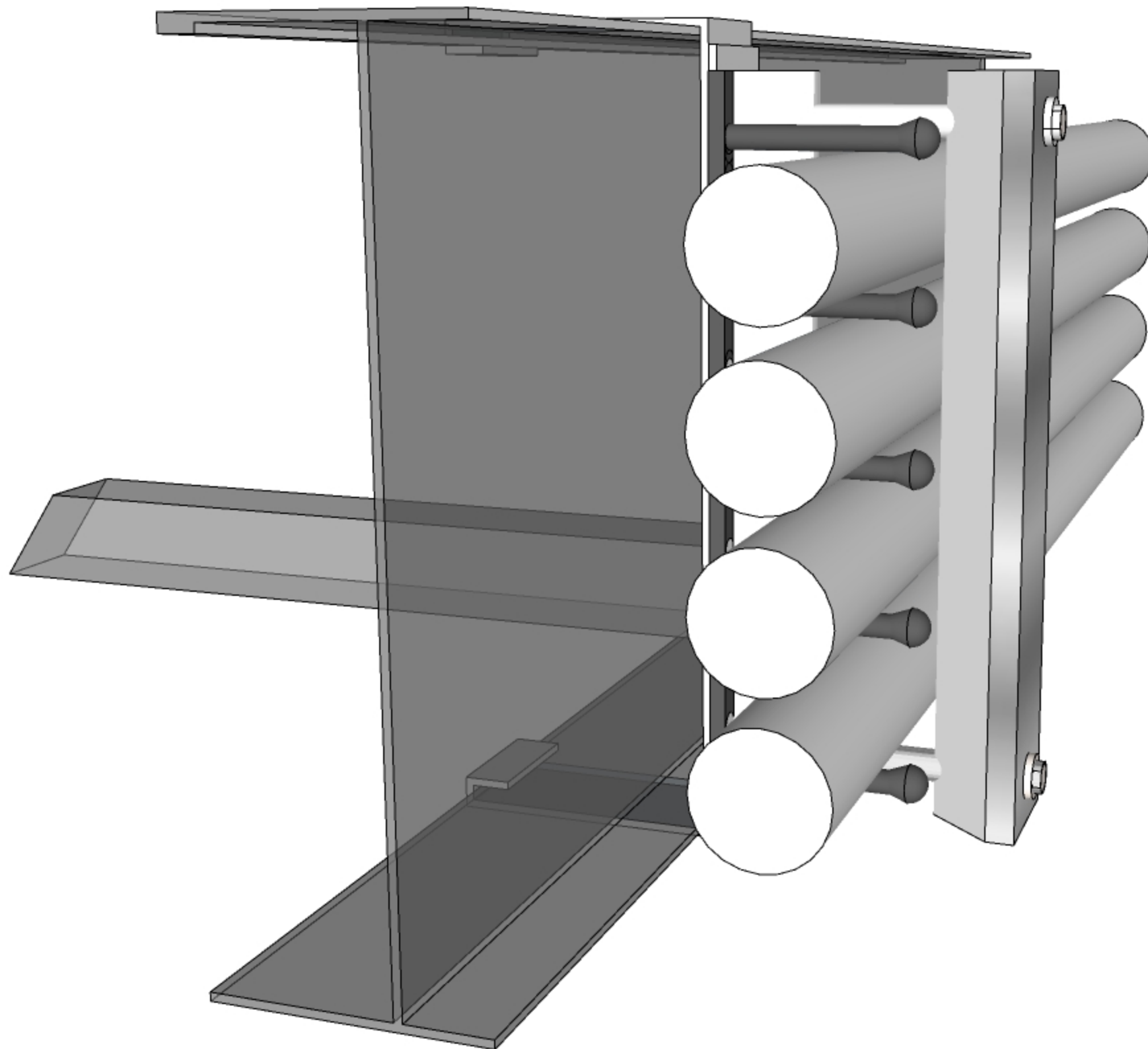




T-SEP Assembly



PTCB6000-64NM

T-SEP Configuration:
PTCB-6000 Configuration
1" Dia. Tubing
4 Tubes
5 11/16" Assembly I.D.
2 3/8" Assembly Height
2 Hardware Access Holes