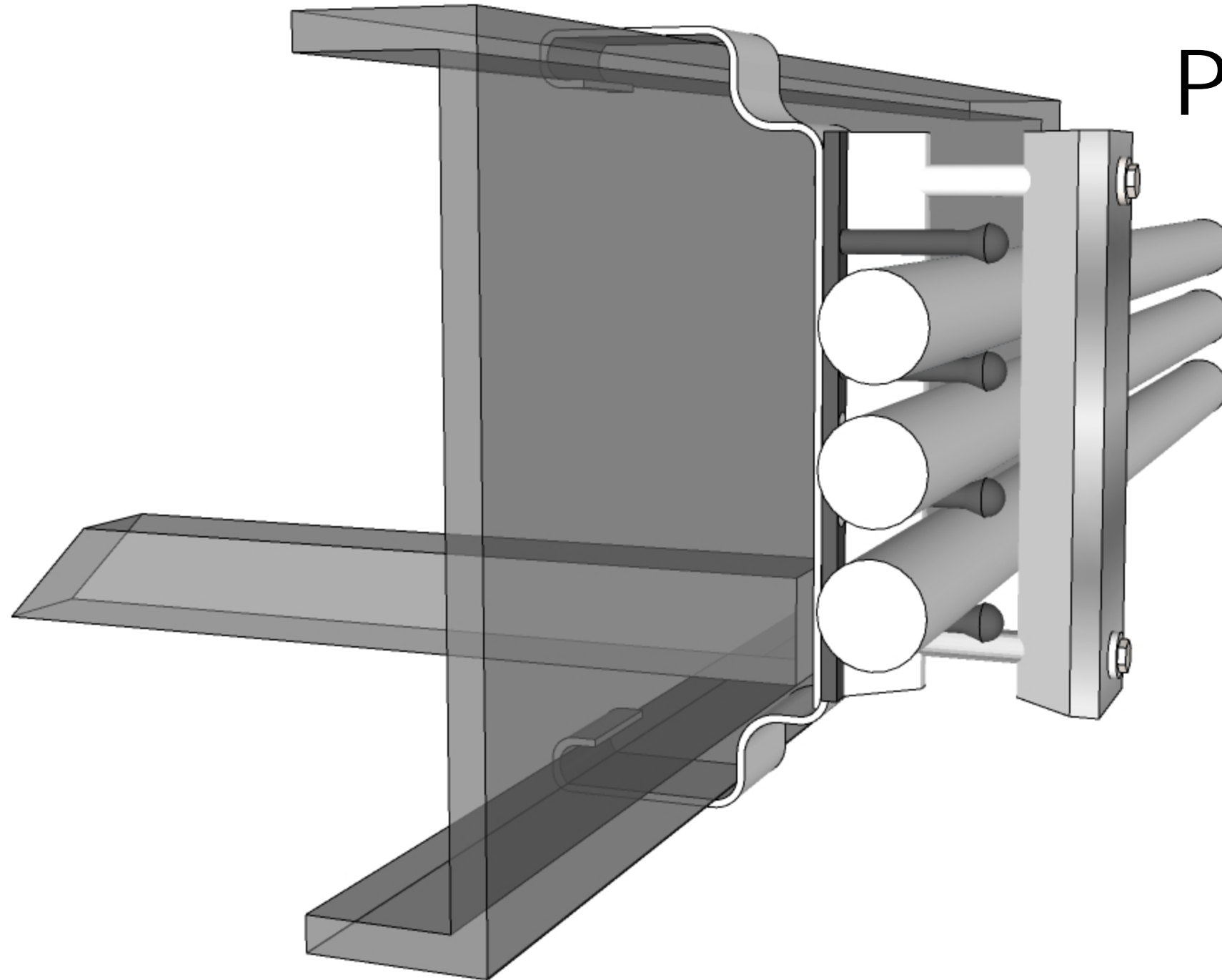




T-SEP Assembly



PTCB6000F-53NM

T-SEP Configuration:
PTCB-6000F Configuration
3/4" Dia. Tubing
3 Tubes
4 5/16" Assembly I.D.
2 1/8" Assembly Height
2 Hardware Access Holes