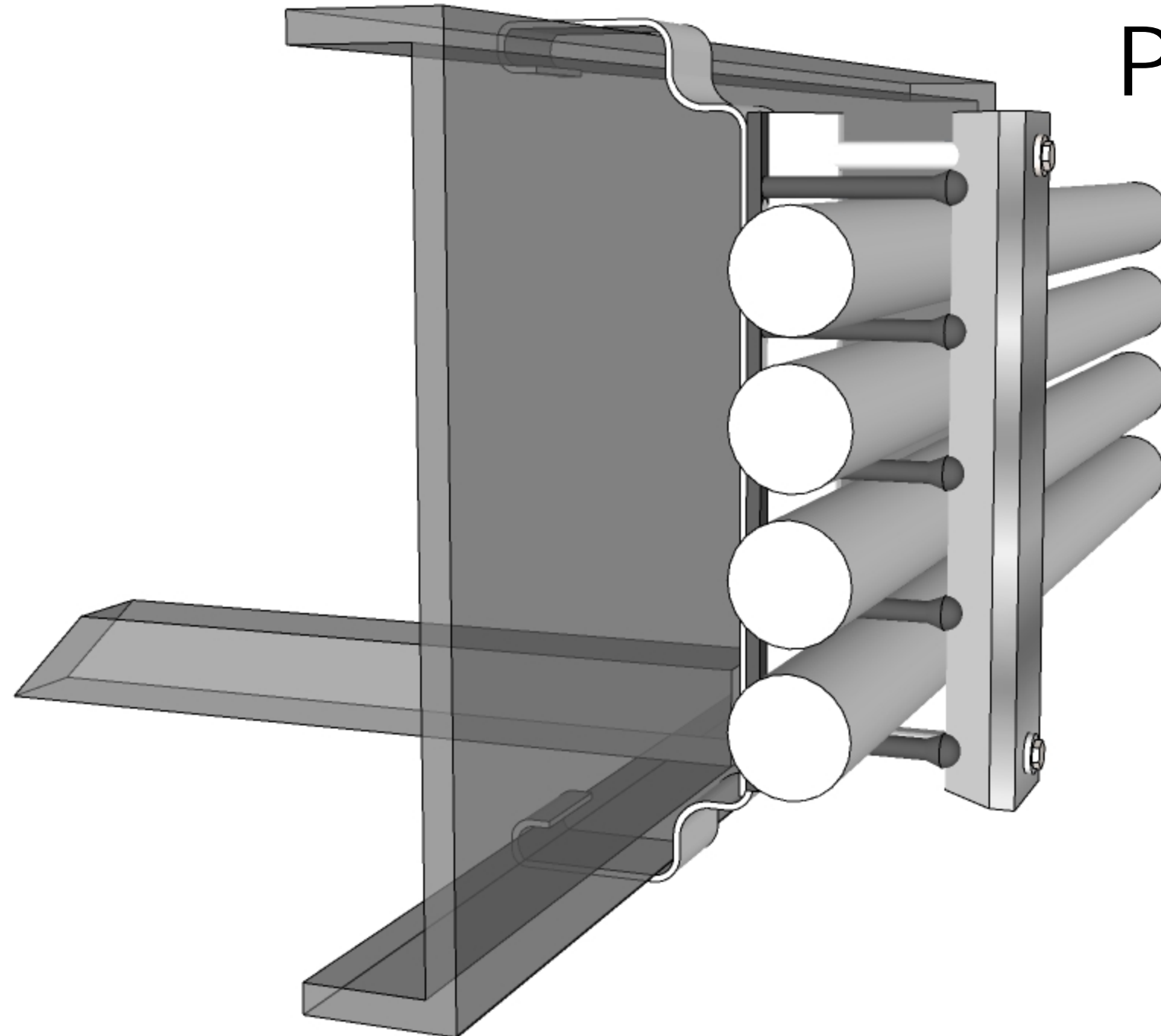




T-SEP Assembly



PTCB8000F-64NM

T-SEP Configuration:
PTCB-8000F Configuration
1" Dia. Tubing
4 Tubes
5 7/8" Assembly I.D.
2 3/8" Assembly Height
2 Hardware Access Holes