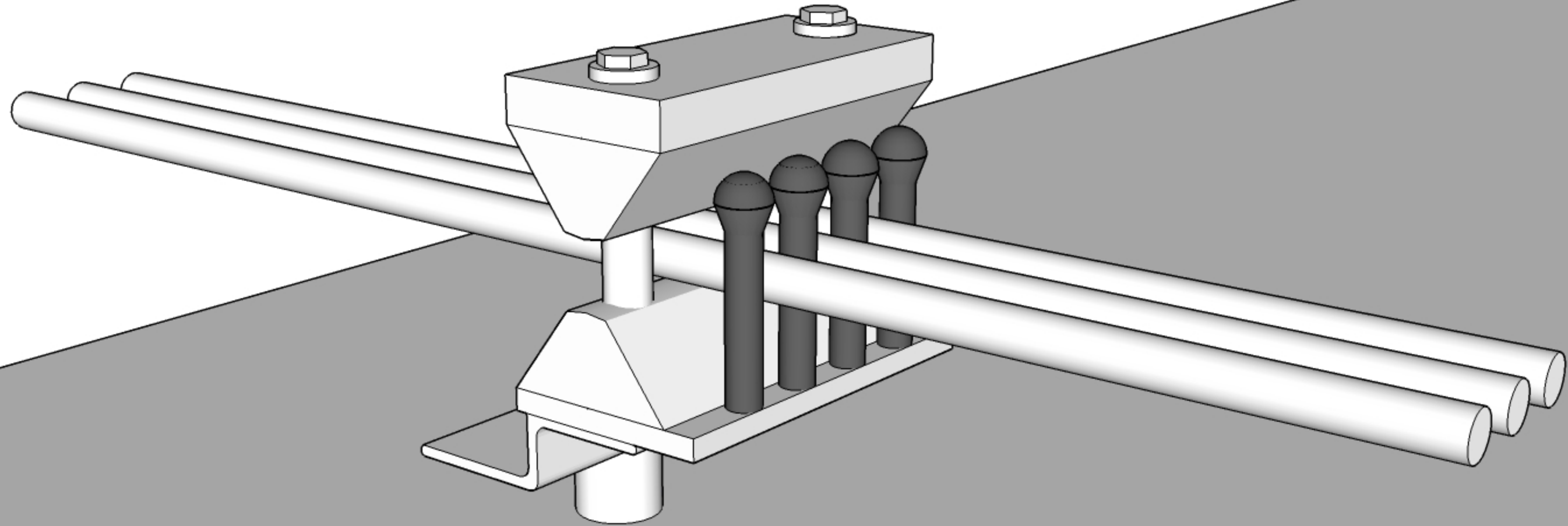


SLP2-132



T-SEP Configuration:

2 1/4" SLP-2

1/4" Dia. Tubes

3 Tubes

2 1/4" Assembly I.D.

1 9/16" Assembly Height

2 Hardware Access Holes