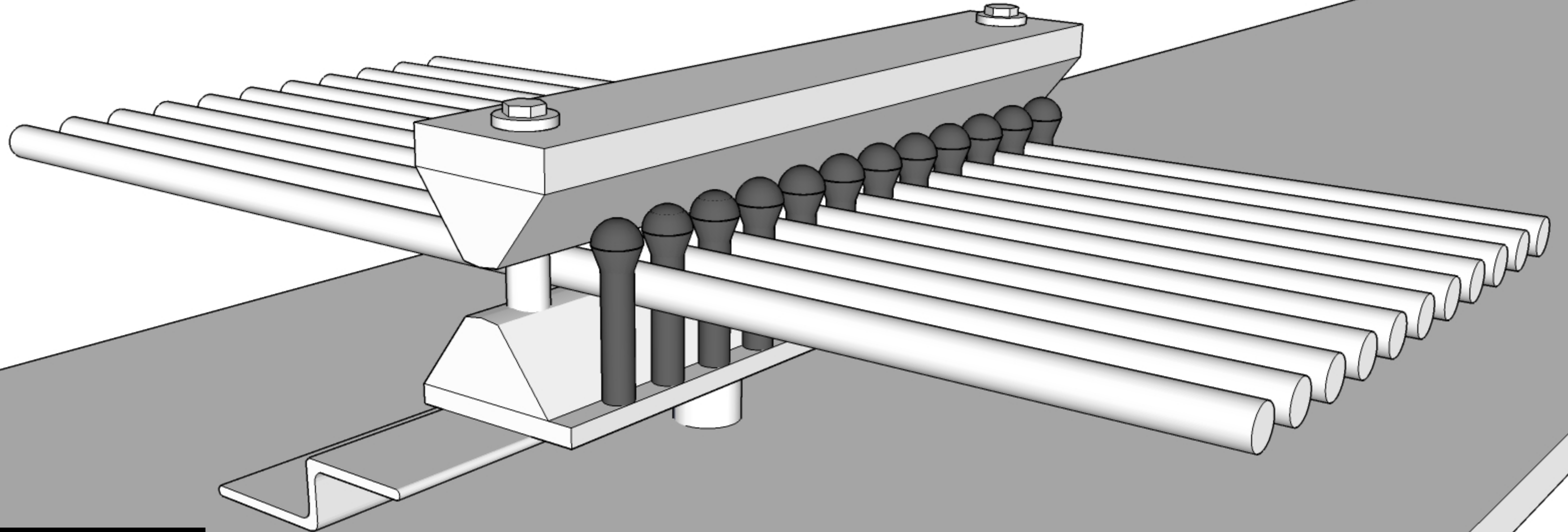


SLP8-1112



T-SEP Configuration:
8" SLP-8
1/4" Dia. Tubes
11 Tubes
6" Assembly I.D.
1 9/16 " Assembly Height
2 Hardware Access Holes