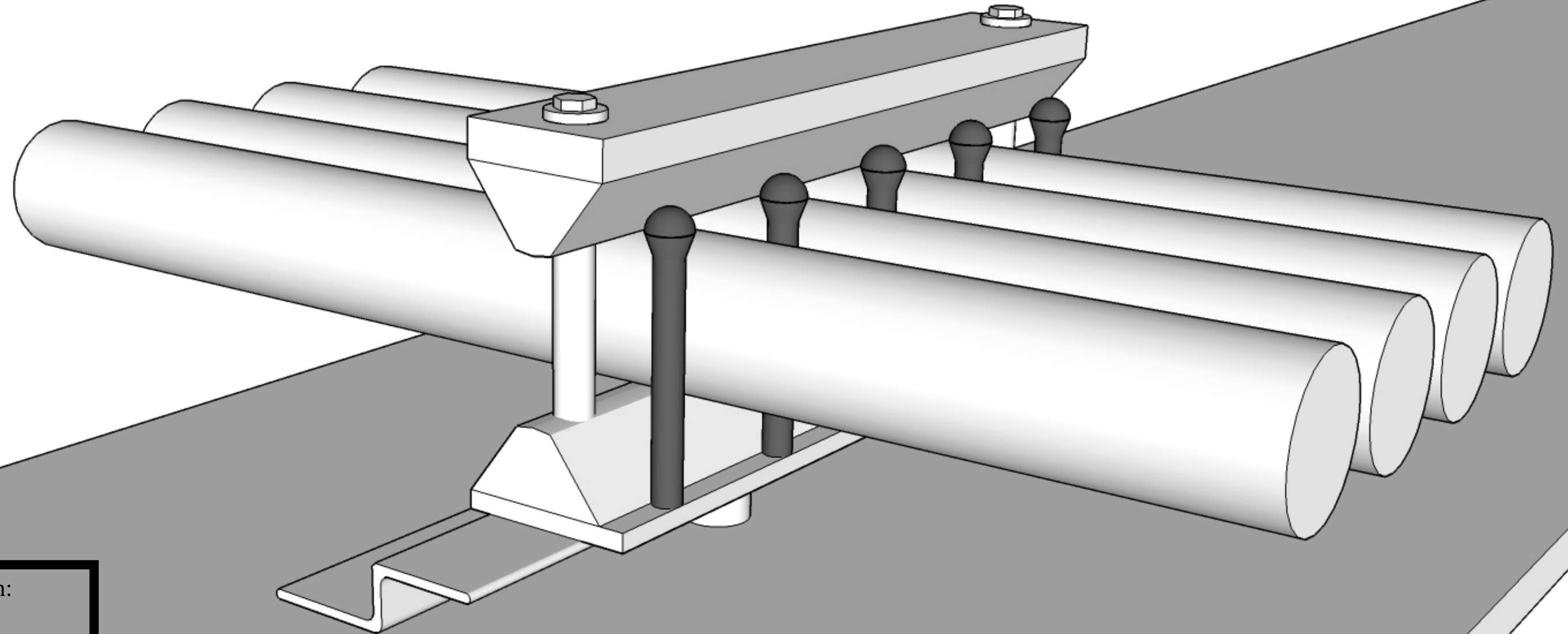


SLP8-642



T-SEP Configuration:

8" SLP-8

1" Dia. Tubes

4 Tubes

6" Assembly I.D.

2 5/16" Assembly Height

2 Hardware Access Holes