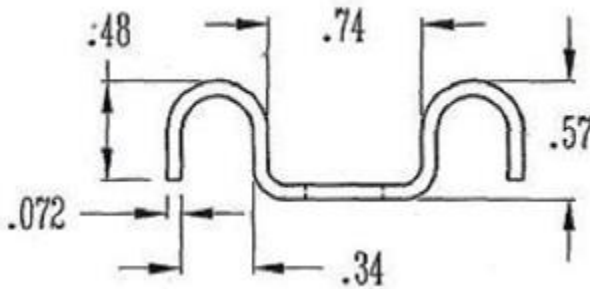




Production Fastening Systems, L.L.C.
New Orleans, LA

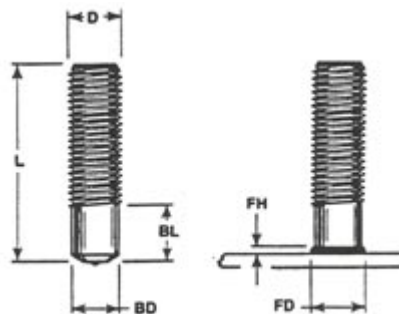
Saddle Clips *For Galvanized Steel Grating*



These clips can be used to fasten steel grating to structural member. To install, use 1/4-20 welded stud which may be welded through grating in place. To properly determine stud length, use grating heights (for example, 1" grating would require 1/4-20 X 1" weld stud). This stud will reduce to 7/8" after weld to allow stud to finish below grating height and allow for 1/4-20 hex nut to be installed.

Description	Part No.
Galvanized Steel Saddle Clip	#GSC-1
Stainless Steel Saddle Clip	#SSC-01

Weld Stud Specified For Installation of Saddle Clip



D	Min L	Bd	Min Bl	Fd	Fh
1/4	3/4	.215	.375	.312	.093

WWW.PFSNO.COM
SALES@PFSNO.COM



Ph: 800-216-1827
504-427-1562
Fax: 504-891-6229