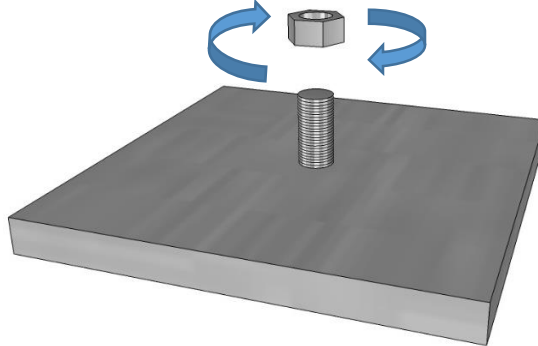




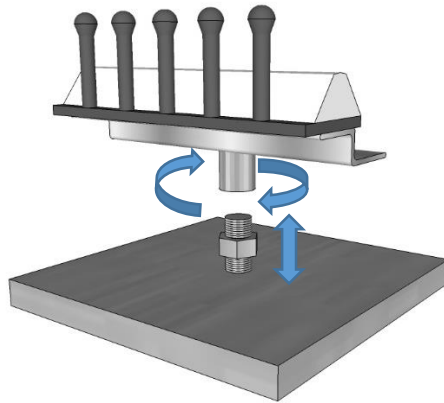
T-SEP™

Install Instructions

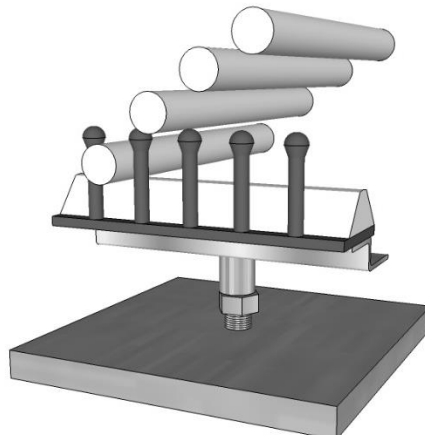
1. Fasten 3/8'' (SS316) Hex nut to 3/8'' welded stud.



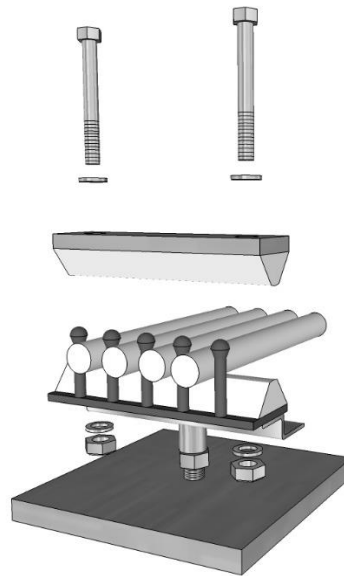
2. Fasten SLP pneumatic tube support/ tube alignment section to 3/8'' welded stud. To achieve proper alignment, adjust 3/8'' (SS316) hex nut.



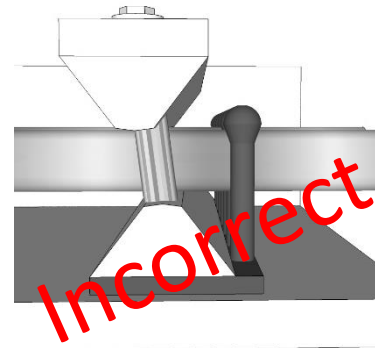
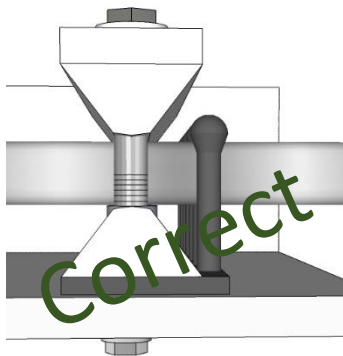
3. Once bottom tube alignment section is properly aligned, tubes can be snapped into place.



4. Once tubes are in place, the “Top Retainer” can be fastened into place with hardware.



5. Completed install should resemble an hour glass. Always tighten by hand and avoid using torque wrench. Over-tightening can result in incorrect retainer alignment. Adjustments can be made through loosening hardware to attain proper configuration.



6. Proper tube alignment is critical for utilizing entire T-SEP capacity. Misalignment can result in spacer tines impeding on adjacent tube run access area.

