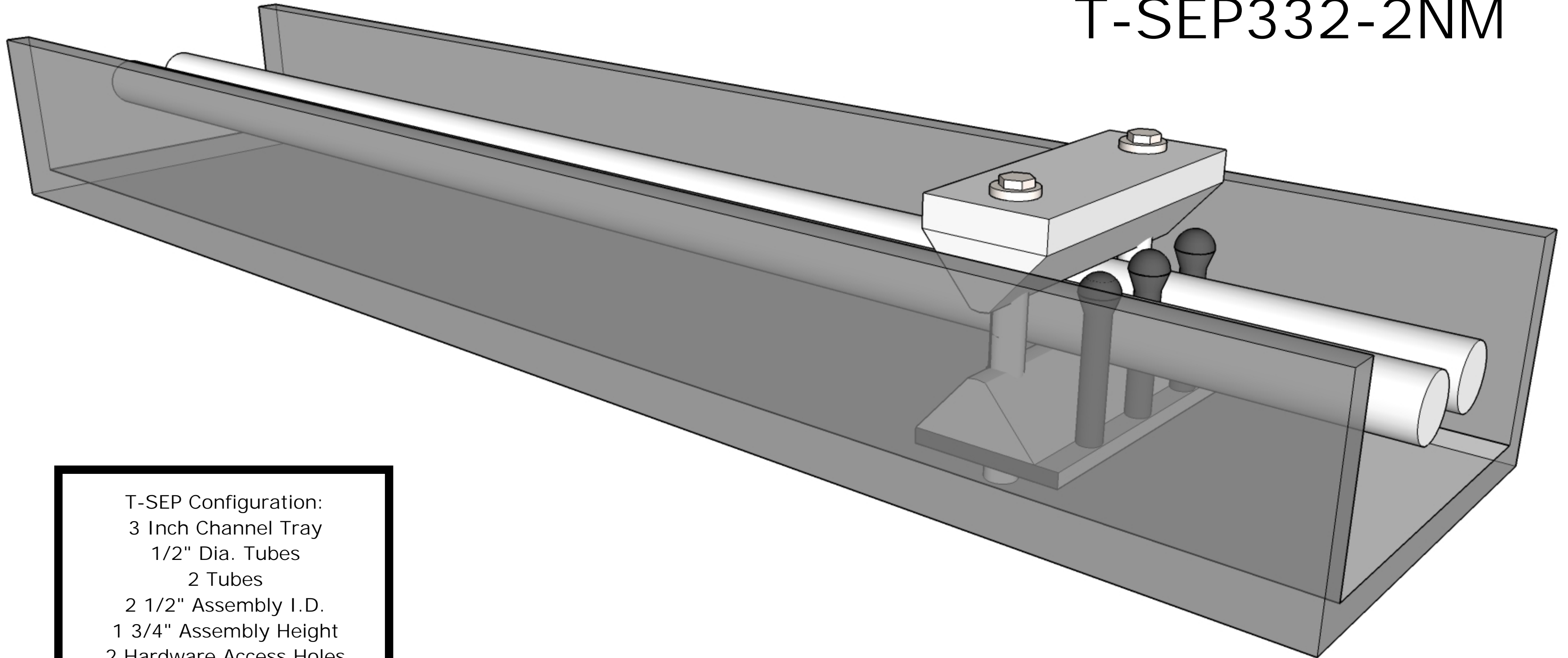


# T-SEP332-2NM



T-SEP Configuration:  
3 Inch Channel Tray  
1/2" Dia. Tubes  
2 Tubes  
2 1/2" Assembly I.D.  
1 3/4" Assembly Height  
2 Hardware Access Holes