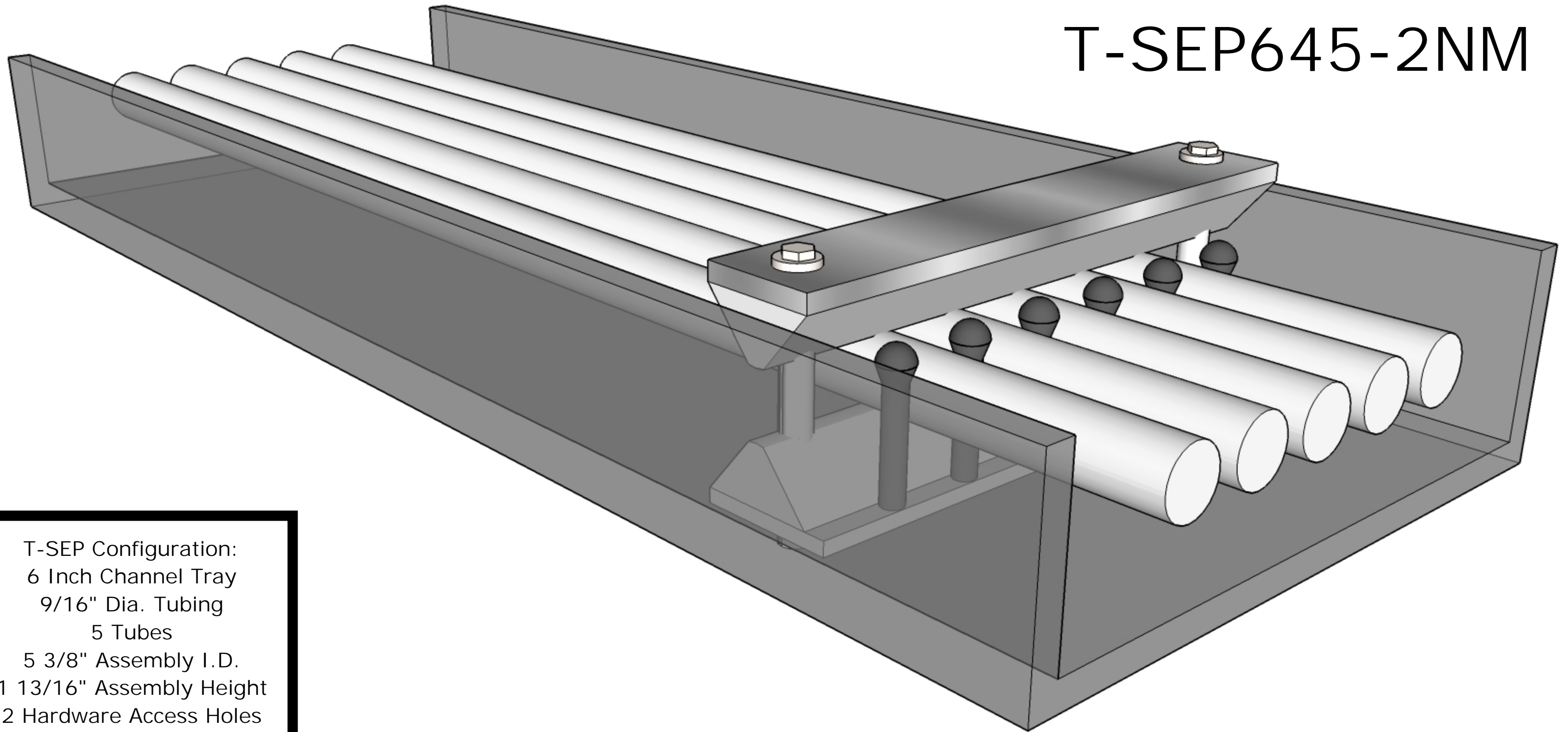


T-SEP645-2NM



T-SEP Configuration:
6 Inch Channel Tray
9/16" Dia. Tubing
5 Tubes
5 3/8" Assembly I.D.
1 13/16" Assembly Height
2 Hardware Access Holes