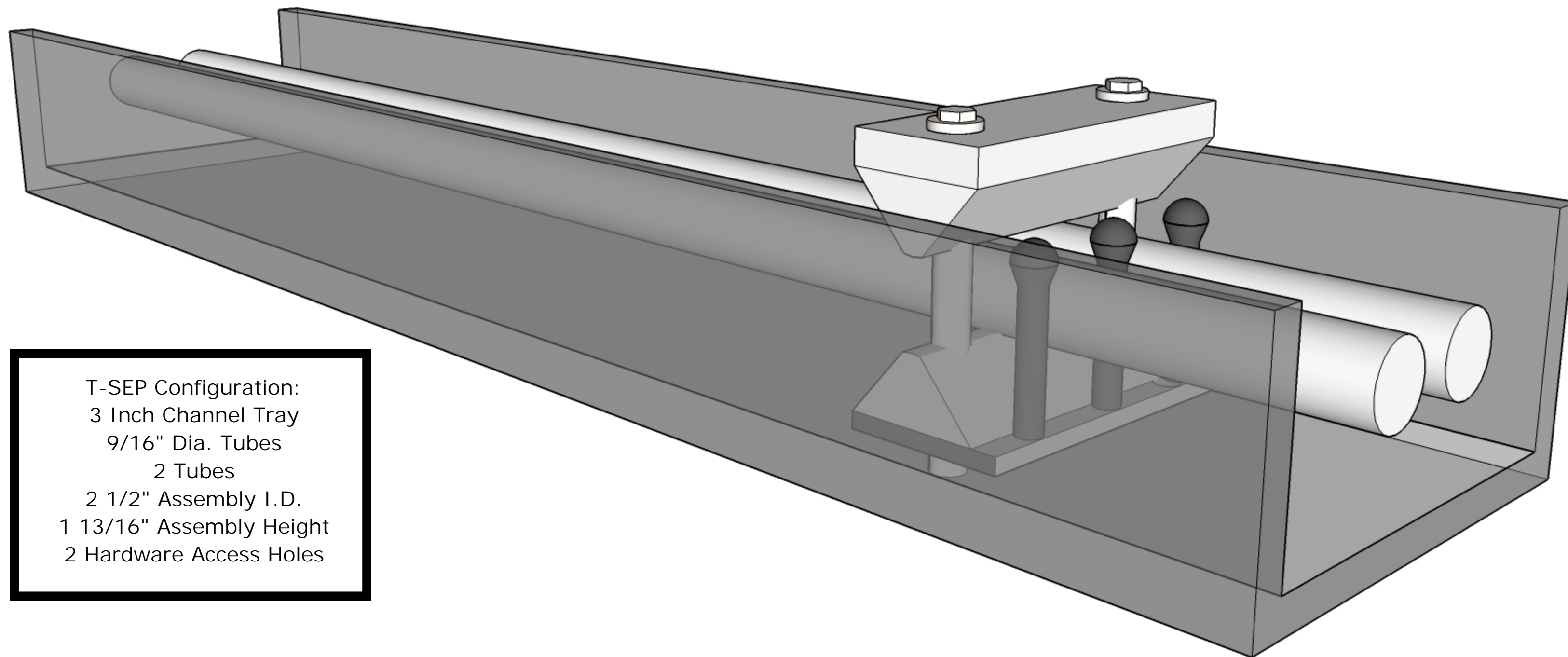


T-SEP342-2NM



T-SEP Configuration:
3 Inch Channel Tray
9/16" Dia. Tubes
2 Tubes
2 1/2" Assembly I.D.
1 13/16" Assembly Height
2 Hardware Access Holes