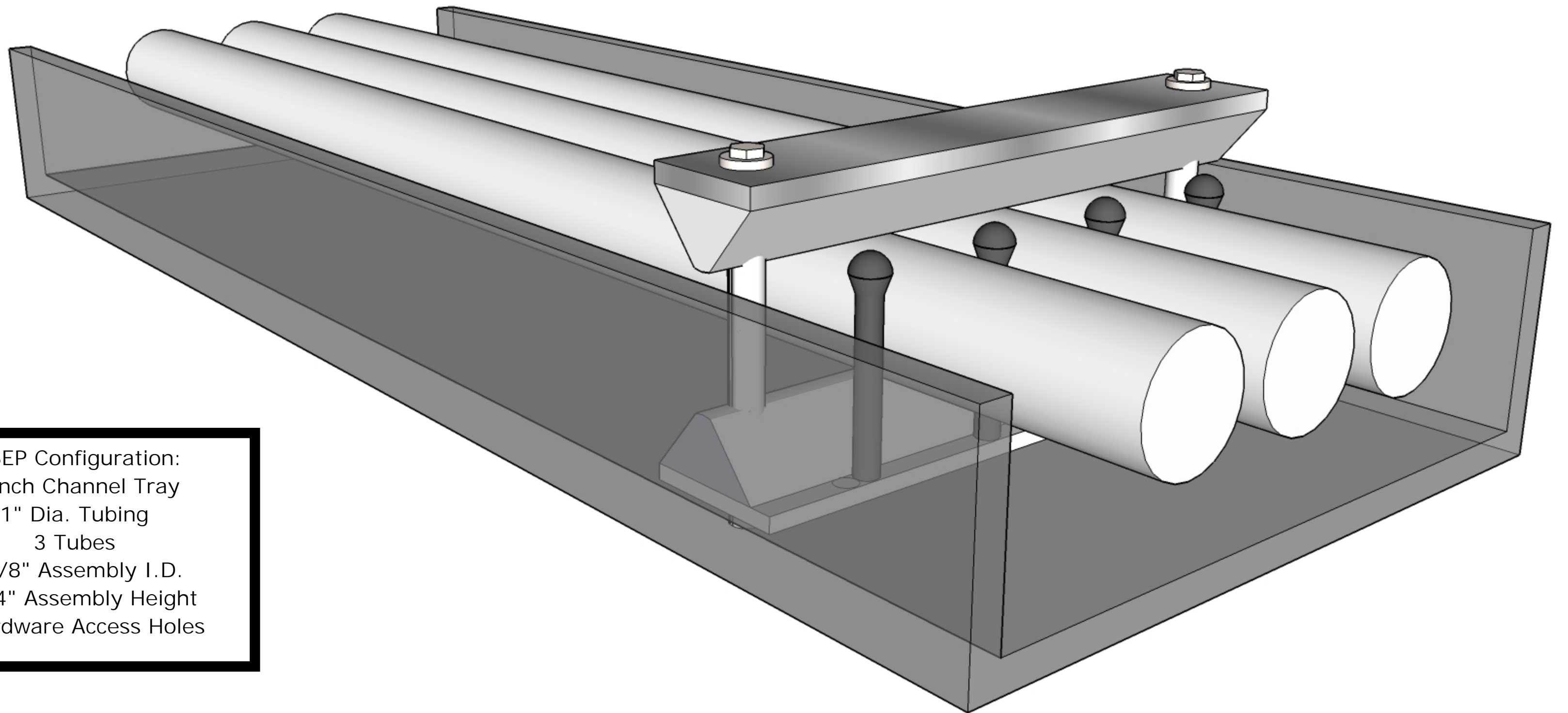


# T-SEP663-2NM



T-SEP Configuration:  
6 Inch Channel Tray  
1" Dia. Tubing  
3 Tubes  
5 3/8" Assembly I.D.  
2 1/4" Assembly Height  
2 Hardware Access Holes