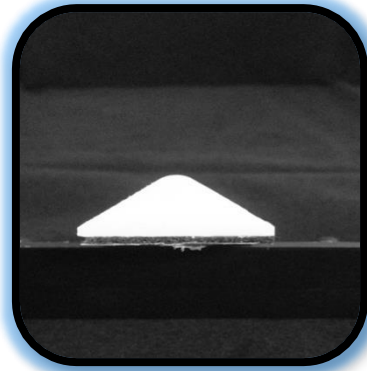
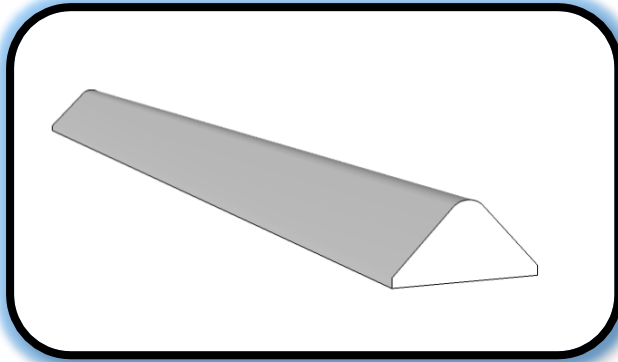


Alternative Geometry - Delta Bar



The platform to support the tubing is a one inch wide delta shaped thermoplastic rod to offer a stable non-metallic surface with minimal contact with the tube. The Delta Bar is a durable medium viscosity acetal homopolymer. It offers improved thermal stability, great mechanical properties and low volatile emissions.

Technical Specifications

Property Value	Units	Test Method	Value
		Delta Bar (ASTM)	
Density, 73°F	-	D792	1.41g/cm
Tensile Strength, 73°F	psi	D638	10,200
Tensile Modules of Elasticity, 73°F	psi	D790	450,000
Elongation (at break), 73°F	%	D638	17-40
Flexural Modules of Elasticity, 73°F	psi	D790	421,000
Flexural Strength, 73°F	psi	D790	11,600
Compressive Strength, 10 % def, 73°F	psi	D695	16,000
IZOD Impact (notched), 73°F	Ft-lbs/ in. of notch	D256	4.3 ft. Lb/ in ²
Hardness, Rockwell, 73°F	-	D785	R-Scale 120
Melting Point	°F	D3418	352
Heat Deflection Temperature, 264 psi	°F	D648	220
Flammability Rating		UL94	HB
Volume Resistivity	Ohm-cm	D257	3.0 x 10 ¹⁵
Dielectric Strength, Short Term	V/mm	D149	420

It's all about Airflow & Inspectability

