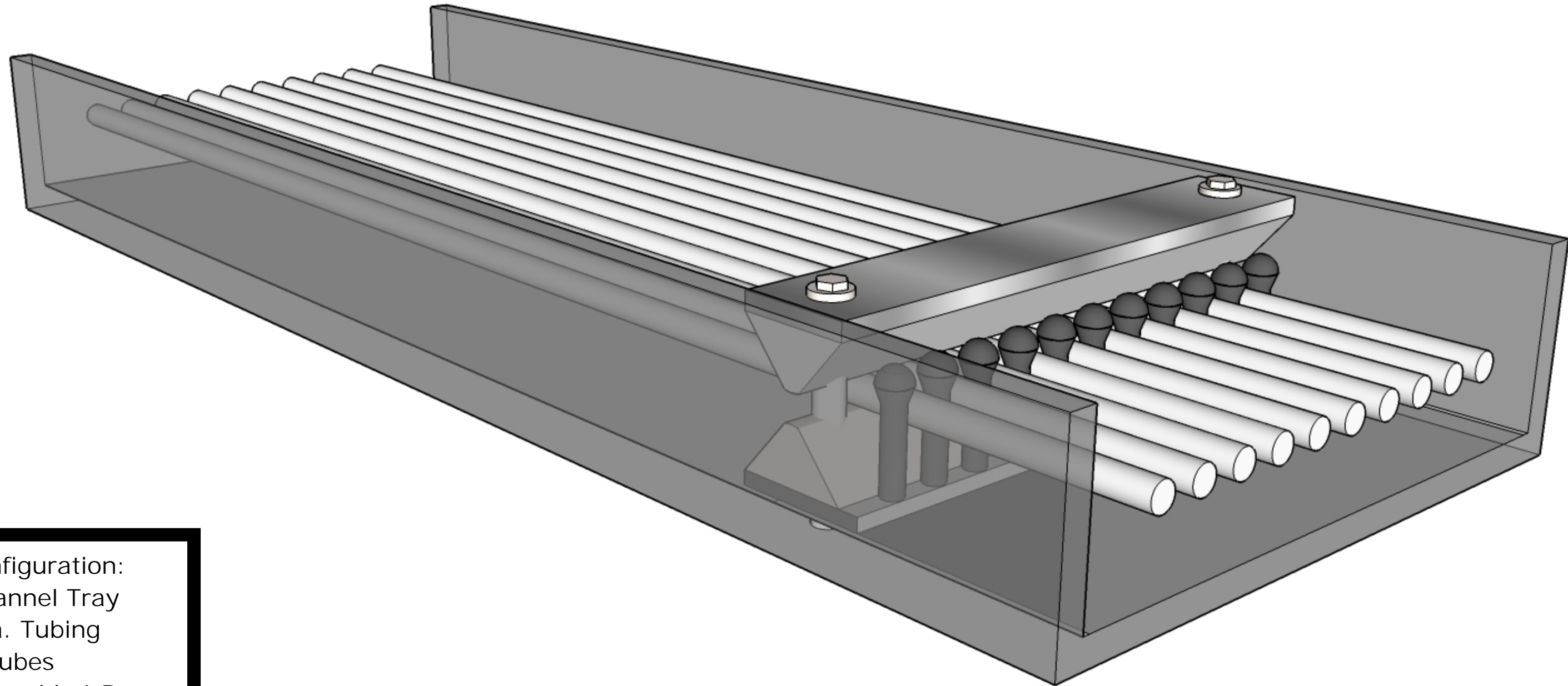


# T-SEP6110-2NM



T-SEP Configuration:  
6 inch channel Tray  
1/4" Dia. Tubing  
10 tubes  
5 3/8" Assembly I.D.  
1 1/2" Assembly Height  
2 Hardware Access Holes