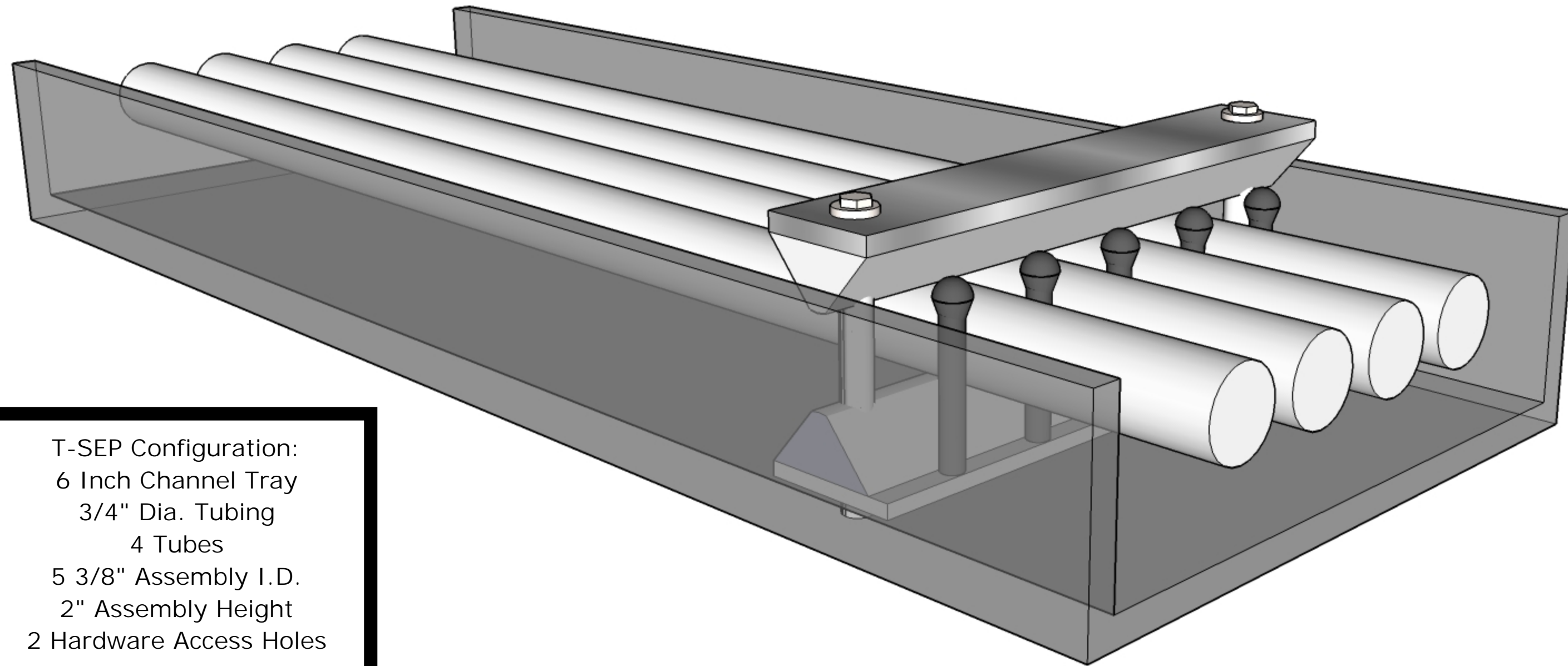


# T-SEP654-2NM



T-SEP Configuration:  
6 Inch Channel Tray  
3/4" Dia. Tubing  
4 Tubes  
5 3/8" Assembly I.D.  
2" Assembly Height  
2 Hardware Access Holes