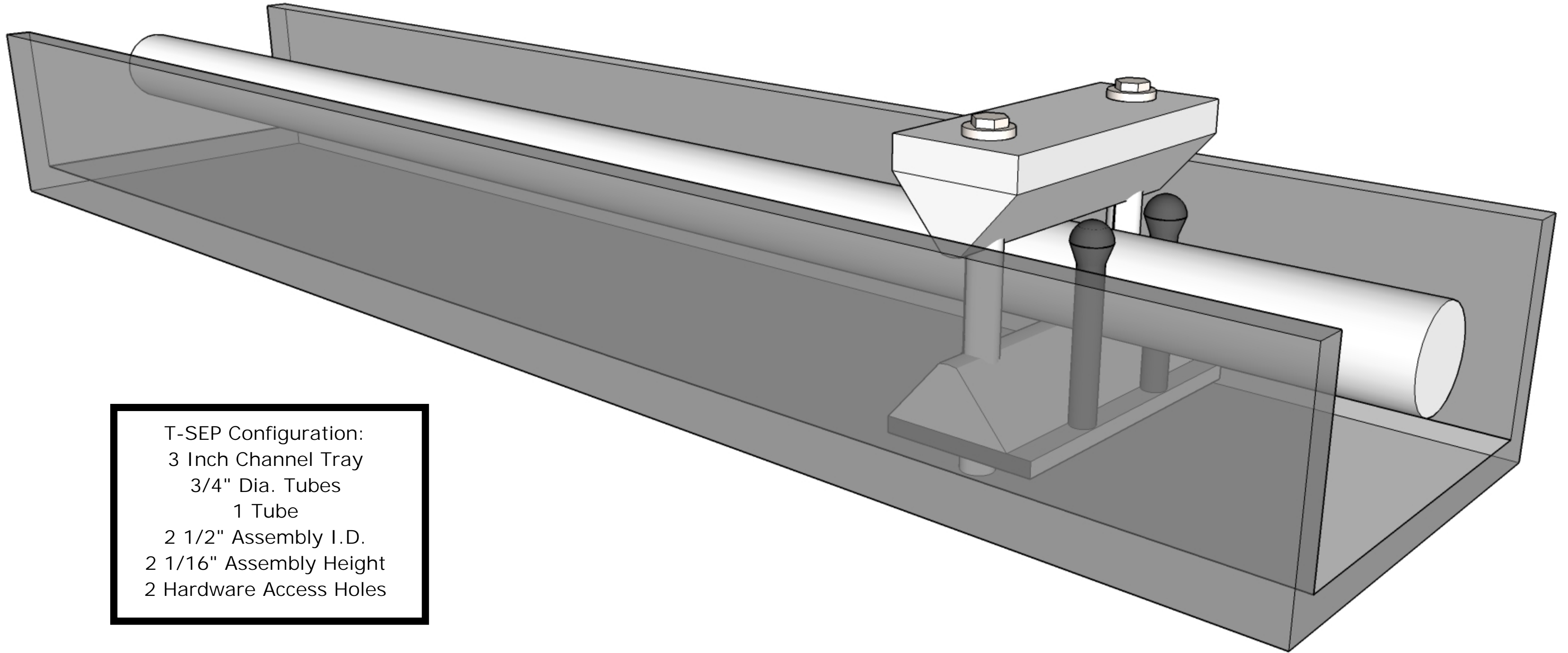


T-SEP351-2NM



T-SEP Configuration:
3 Inch Channel Tray
3/4" Dia. Tubes
1 Tube
2 1/2" Assembly I.D.
2 1/16" Assembly Height
2 Hardware Access Holes